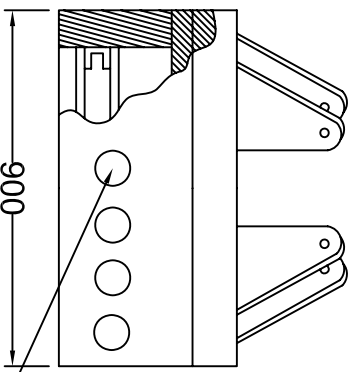
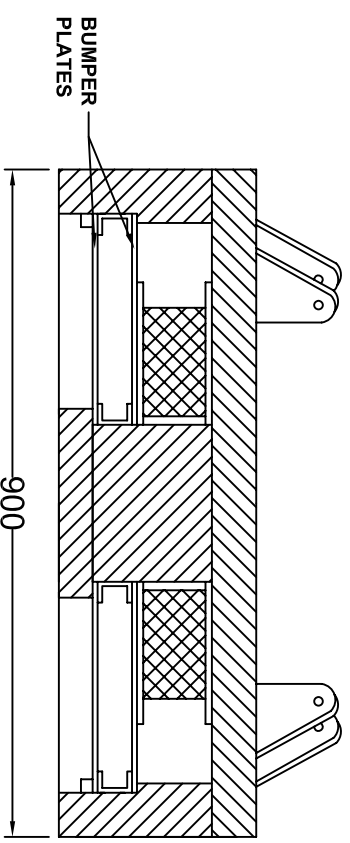
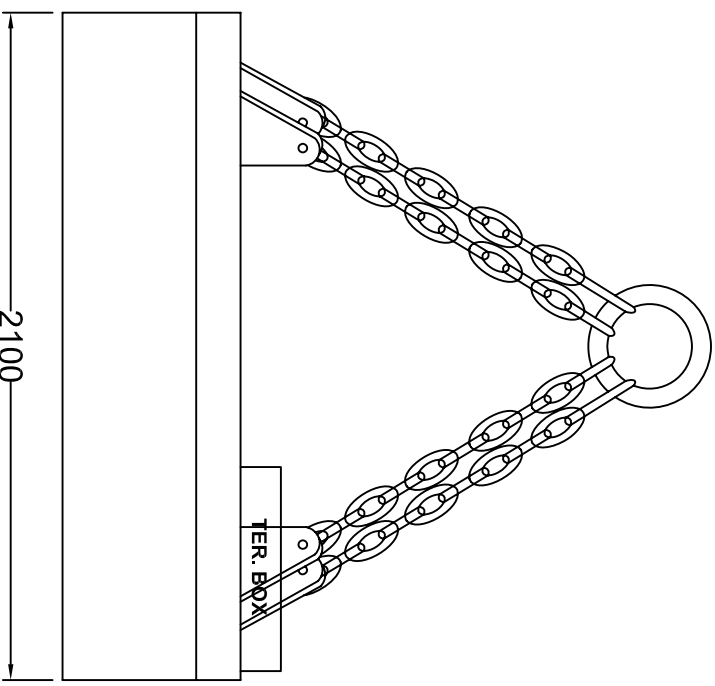


1 2 3 4 5 6 7 8

MAGNET SPECIFICATION	
MAGNET WEIGHT	4200 Kgs
VOLTS	220 V D.C.
CURRENT COLD	41 Amps
DUTY CYCLE	75% on 10 minutes
LOADING	9 KW
CONDUCTOR	ALUMINIUM



Air vents for keeping magnet cool

CLIENT:-		DRAWN	B.DUTTA
ORDER NO. :-		DESIGNED	M.B.S
W. ORDER NO. :-		CHECKED	
		APPROVED	
		SCALE	N.T.S
		DATED	05.04.2011

ISC America

P.O. Box 1681, Mentor Ohio
 United States of America
 Ph. +14402908947
 Email : info@iscamerica.us
 Site : www.iscamerica.us

TITLE:		G.A. DRAWING OF	
		RECTANGULAR MAGNET 2100MM X 900MM	
DRG. No.	REV.NO. & DATE	0	
	COMP.FILE NO.		
	SHEET NO.		